

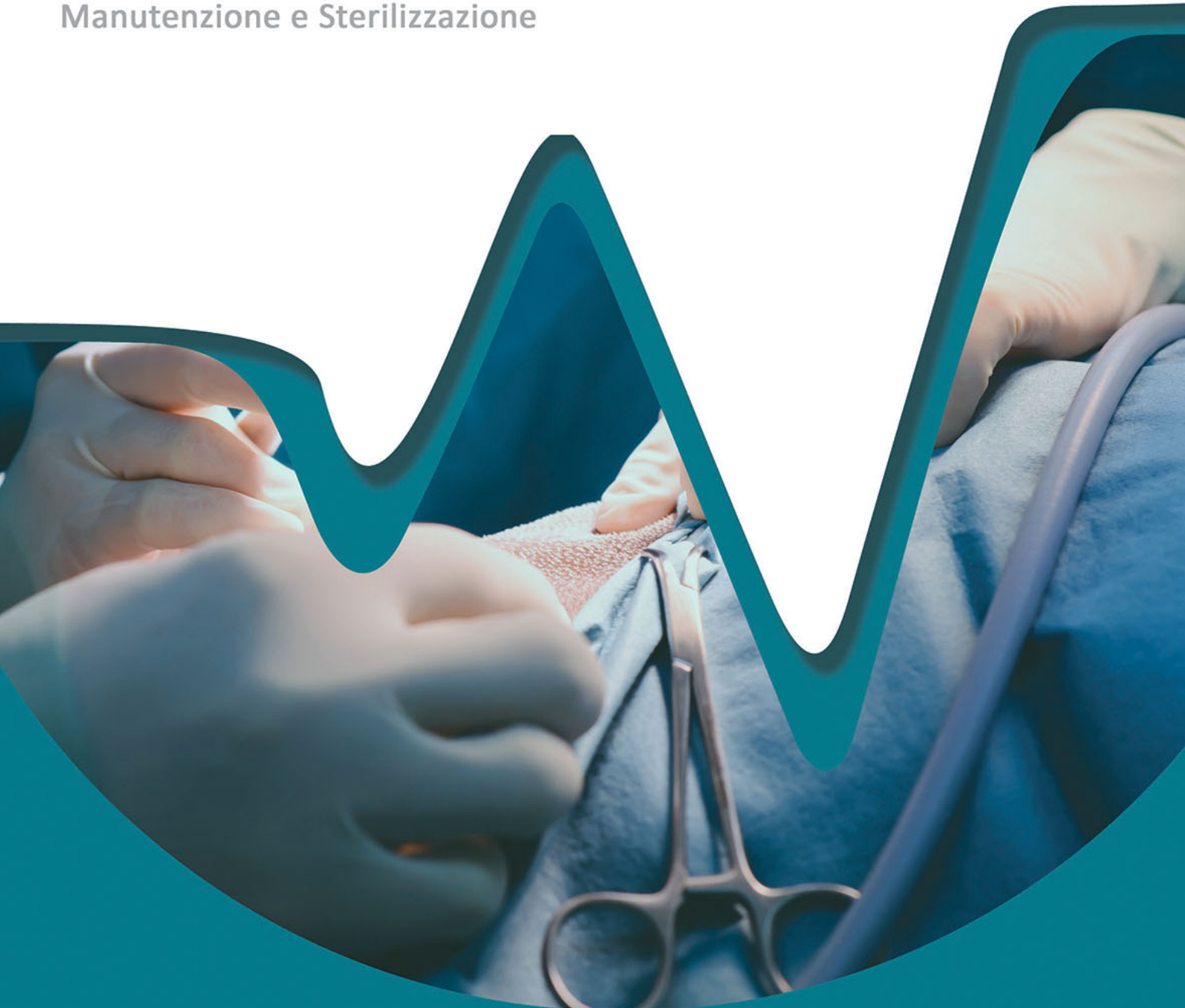
MAINTENANCE AND STERILIZATION

Wartung und Sterilisierung

Entretien et Stérilisation

Mantenimiento y Esterilización

Manutenzione e Sterilizzazione

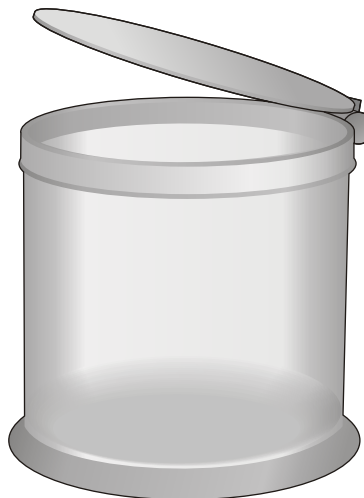


Scatola per sterilizzazione aghi da sutura - Box for needles
Sterilbehälter für Nadeln - Boite pour aiguilles de suture
Estuche para agujas

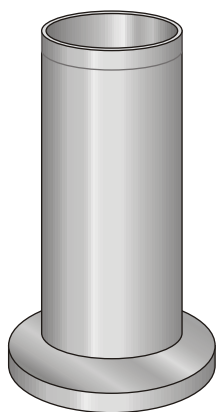


17-100-01
Ø 78 mm h 15 mm

Vaso in vetro con coperchio in acciaio inox
Jarin glass with lid in stainless steel
Pot en verre avec couvercle en acier inox



17-110-01 Ø 100x100 mm
17-110-02 Ø 120x120 mm

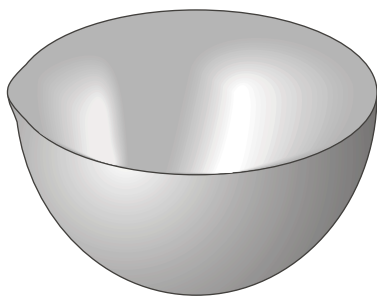


17-120-01 Ø 50 mm h 100 mm
17-120-02 Ø 50 mm h 150 mm
17-120-03 Ø 80 mm h 180 mm

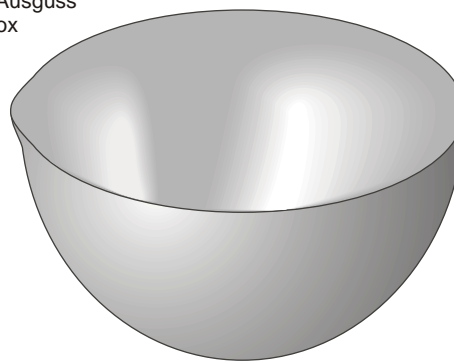


17-130-01 Ø 100x100 mm
17-130-02 Ø 120x120 mm

Capsule inox con fondo piano e becco
Lotion bowis capsules
Runder Sterilbehälter mit Ausguss
Capsule en acier inox



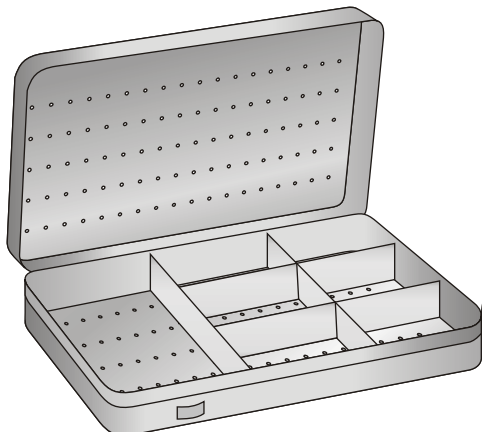
17-140-01 Ø 40 mm 15 cc
17-140-02 Ø 60 mm 75 cc
17-140-03 Ø 80 mm 225 cc
17-140-04 Ø 100 mm 325 cc
17-140-05 Ø 120 mm 500 cc
17-140-06 Ø 150 mm 600 cc



17-150-01 Ø 180 mm 1000 cc
17-150-02 Ø 200 mm 1450 cc
17-150-03 Ø 220 mm 2000 cc
17-150-04 Ø 240 mm 3300 cc

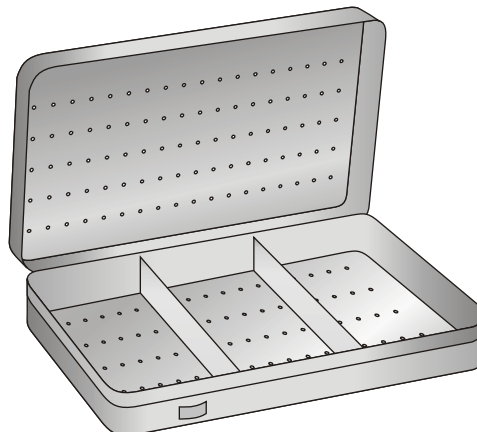
Inox - Stainless steel - Rostfrei
Inoxidable

Bacinella a 7 scomparti



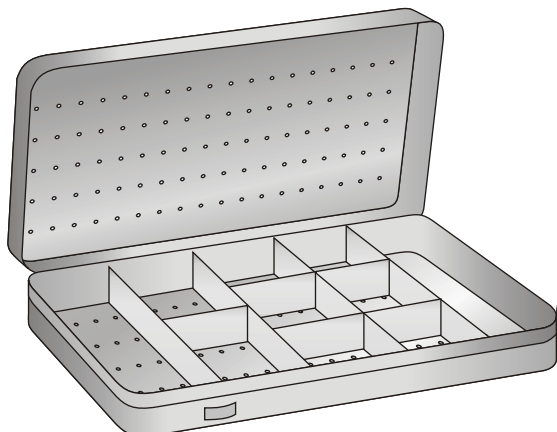
17-160-01
150 x 90 x 20 mm

Bacinella a 3 scomparti

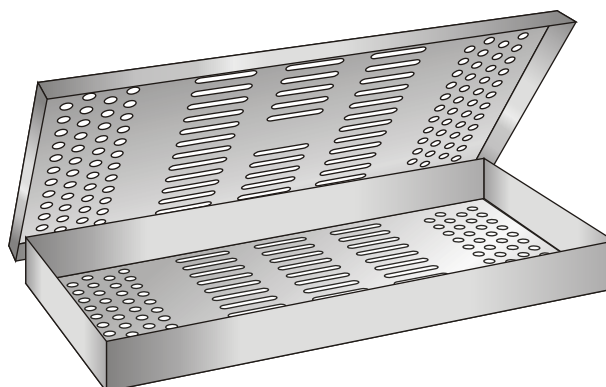


17-170-01
150 x 90 x 20 mm

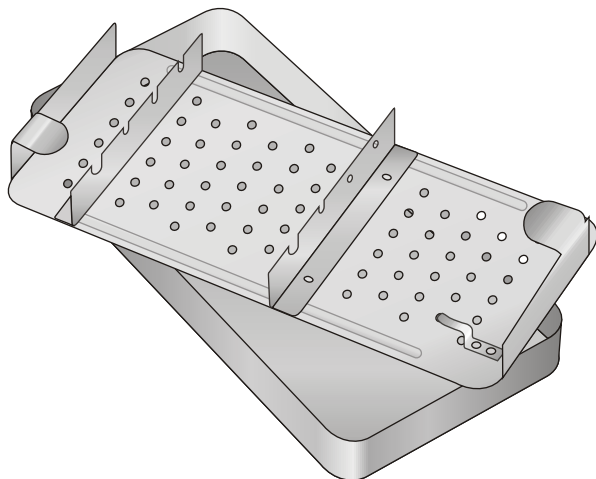
Bacinella a 10 scomparti



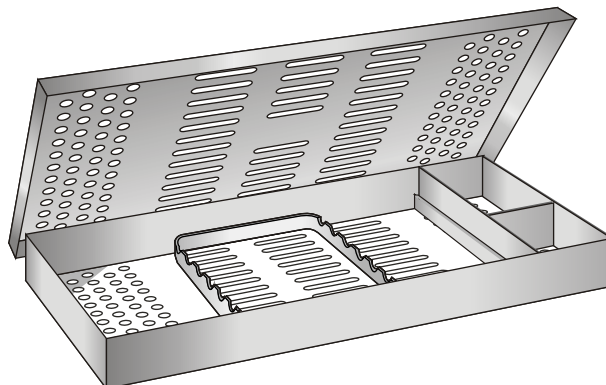
17-180-01
220 x 120 x 20 mm



17-190-01
275 x 130 x 25 mm

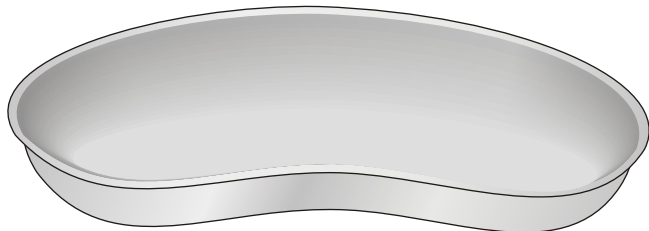


17-200-01
180 x 90 x 35 mm 2 ripiani



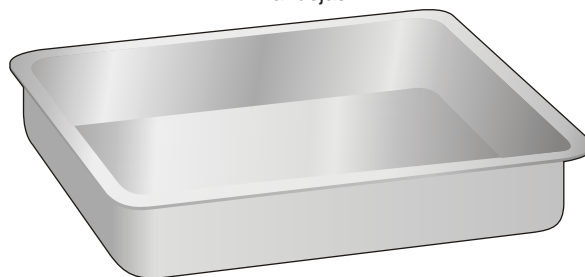
17-210-01 275 x 130 x 25 mm Con griglia e scomparti
17-210-02 285 x 190 x 25 mm Con griglia e scomparti

Bacinelle reniformi
Kidney bowls
Nierenschalen
Bassins réniformes
Riñoneras



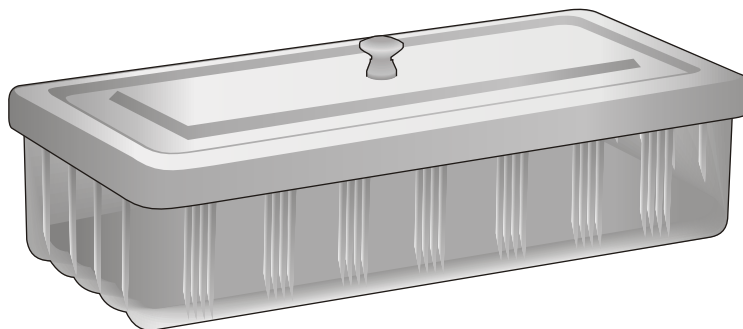
17-220-20 200 mm
17-220-25 250 mm
17-220-28 280 mm

Vassoi porta-strumenti
Trays
Schalen
Bassins
Bandejas



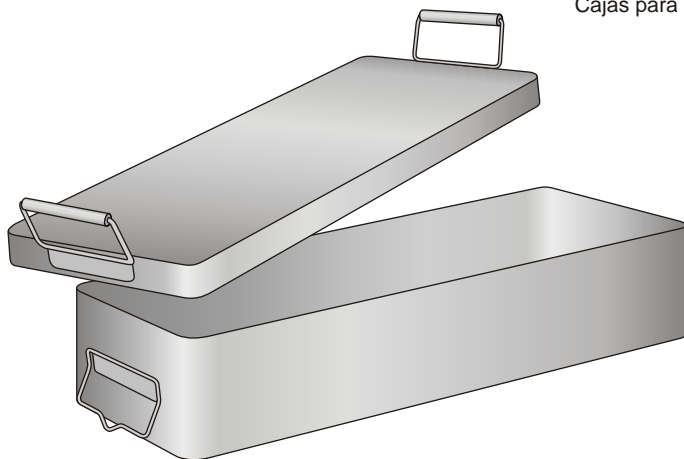
17-230-01 210x150x25 mm
17-230-02 250x180x30 mm
17-230-03 300x220x30 mm

Bacinella in vetro con coperchio e pomolo in acciaio inox
Container in glass with lid and knob in stainless steel
Cuvette en verre avec couvercle et pommeau en acier inox

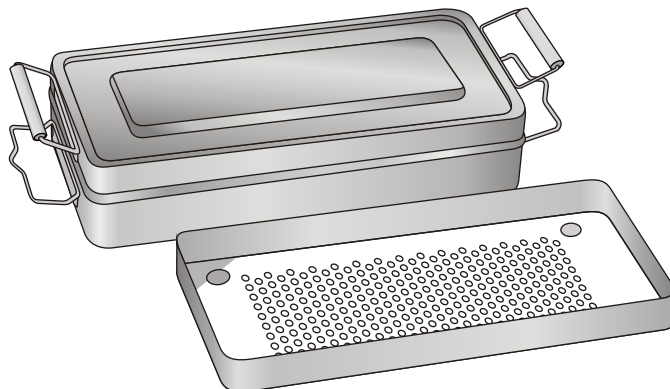


17-240-01 140x80x50 mm
17-240-02 200x60x40 mm
17-240-03 220x100x50 mm
17-240-04 220x140x60 mm
17-240-05 300x180x65 mm

Scatole per sterilizzazione a secco
Instrument boxes
Instrumentenkästen
Boîtes pour instruments
Cajas para instrumentos

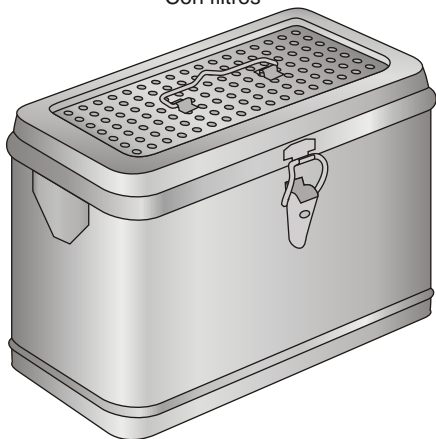


17-250-01 280 x 140 x 60 mm
17-250-02 300 x 140 x 60 mm
17-250-03 360 x 160 x 70 mm



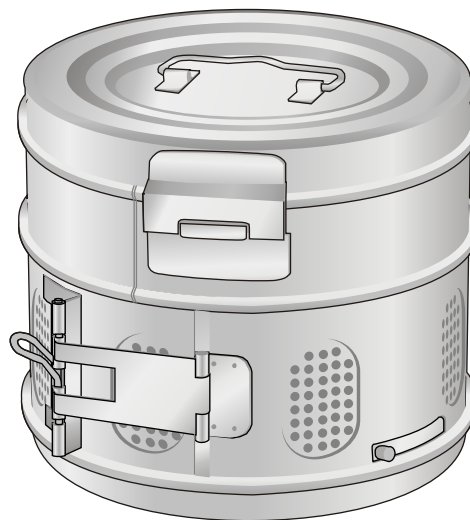
17-260-01 150 x 90 x 40 mm
17-260-02 200 x 100 x 60 mm
17-260-03 250 x 120 x 60 mm
17-260-04 280 x 140 x 60 mm
17-260-05 320 x 150 x 60 mm

Cestelli rettangolari con filtro
Mit filter
Whith filter
Avec filtre
Con filtros



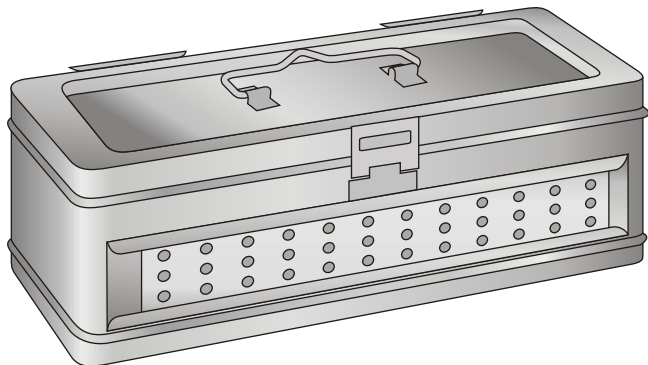
- 17-270-01 200 x 180 x 120 mm
- 17-270-02 200 x 180 x 180 mm
- 17-270-03 250 x 250 x 250 mm
- 17-270-04 270 x 160 x 160 mm
- 17-270-05 290 x 290 x 290 mm
- 17-270-06 350 x 230 x 200 mm

Cestelli cilindrici
Dressing sterilizing drums
Verbandstofftrommeln
Boites à stérilisation
Cajas para esterilización



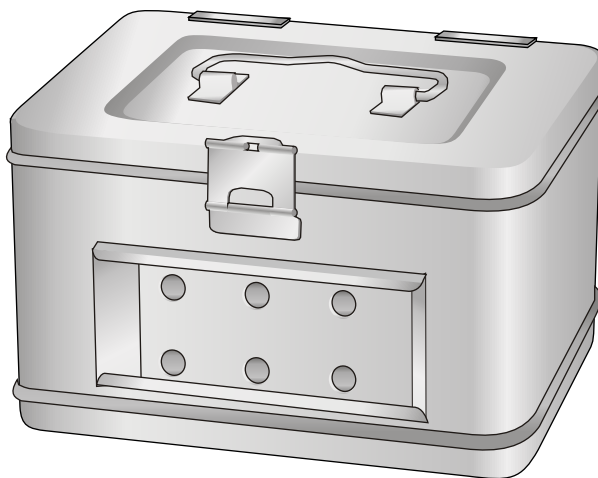
- 17-280-01 125x125 mm
- 17-280-02 150x150 mm
- 17-280-03 190x145 mm
- 17-280-04 290x240 mm

Cestelli rettangolari
Rectengular drum
Panier rectangulaire



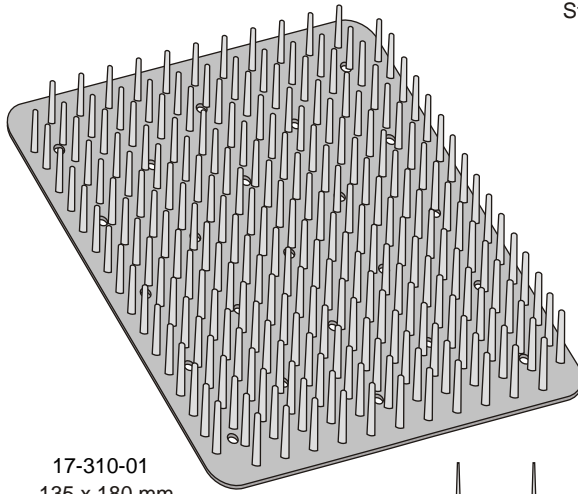
- 17-290-01 300 x 150 x 60 mm
- 17-290-02 300 x 150 x 90 mm
- 17-290-03 300 x 150 x 180 mm

Cestelli rettangolari
Rectengular drum
Panier rectangulaire

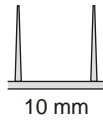


- 17-300-01 190x110x120 mm
- 17-300-02 200x180x120 mm
- 17-300-03 200x180x180 mm
- 17-300-04 250x200x200 mm

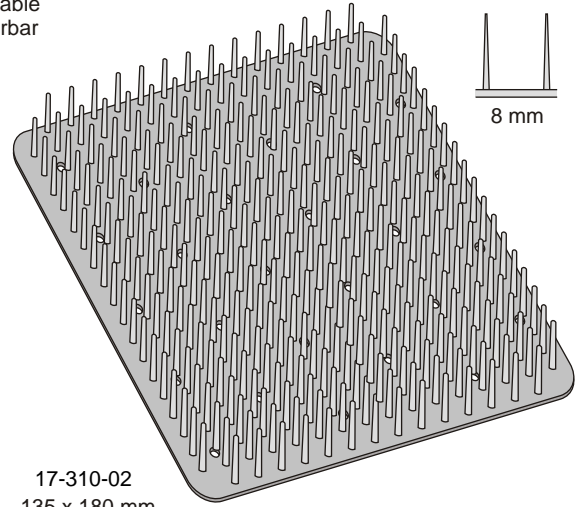
Autoclavabili
Autoclavable
Sterilisierbar



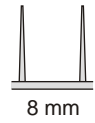
17-310-01
135 x 180 mm



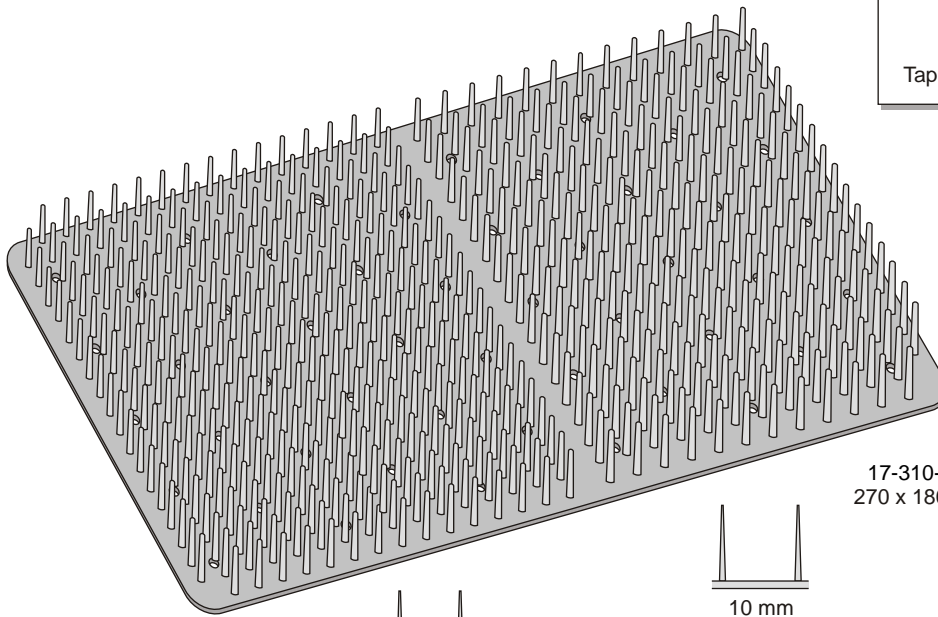
10 mm



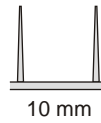
17-310-02
135 x 180 mm



8 mm



17-310-04
270 x 180 mm

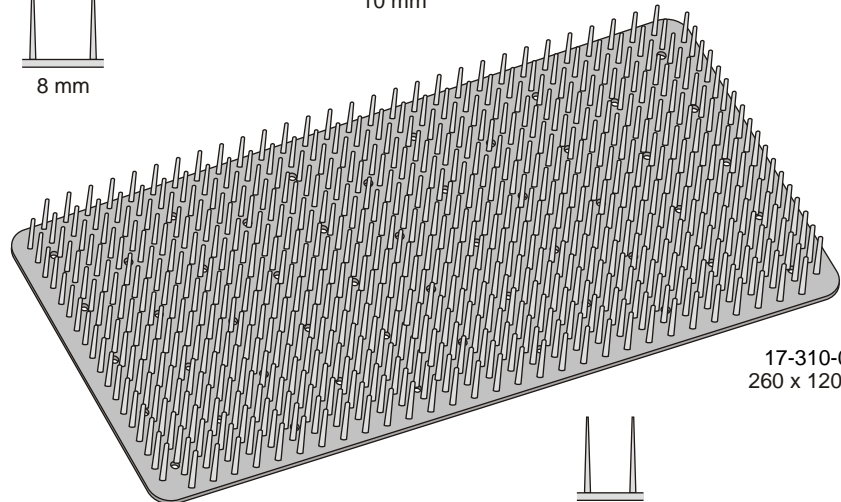


10 mm



8 mm

Tappeti in aghi di silicone
Silikon matte
Matte en silicone
Tapis en Silicone
Tapete en agujas de silicona



17-310-03
260 x 120 mm

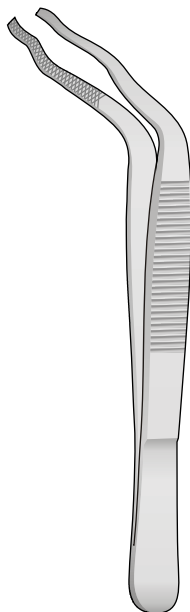


6 mm

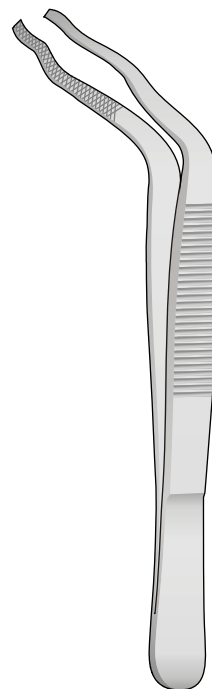
Pinze per prelevare strumenti sterilizzati
Pinzette zum Entnehmen Sterilisierter Instrumente



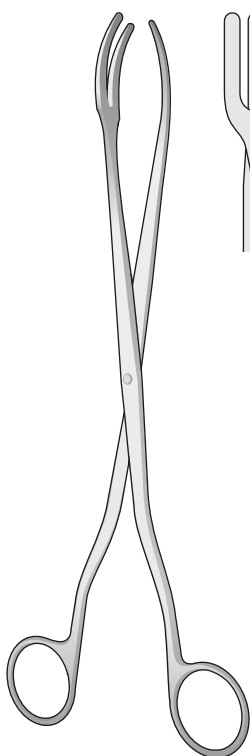
17-340-14
145 mm



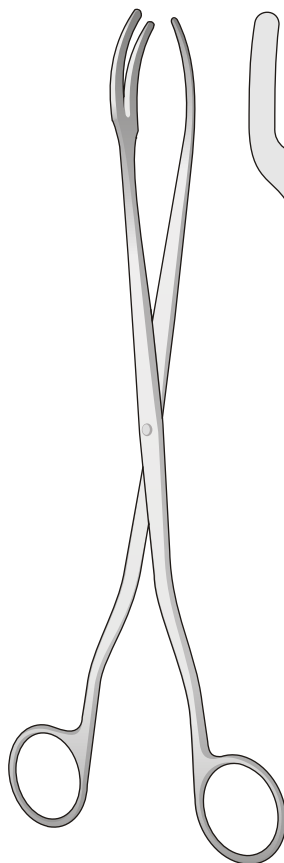
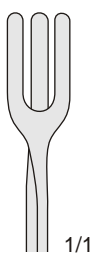
DAVIS
17-350-16
160 mm



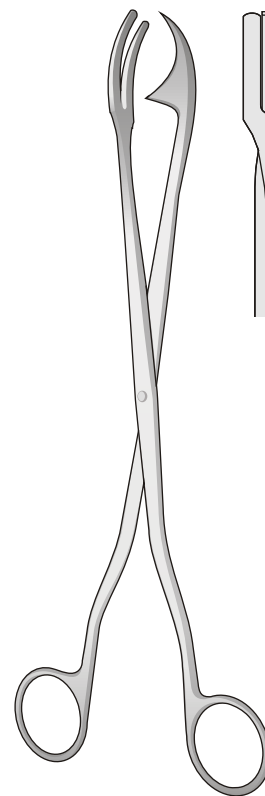
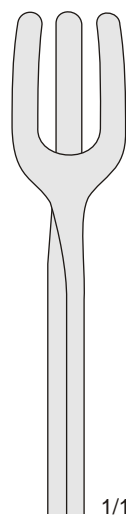
DAVIS
17-350-20
200 mm



17-360-20
200 mm



17-360-30
300 mm



ROGGE
17-370-23
230 mm

